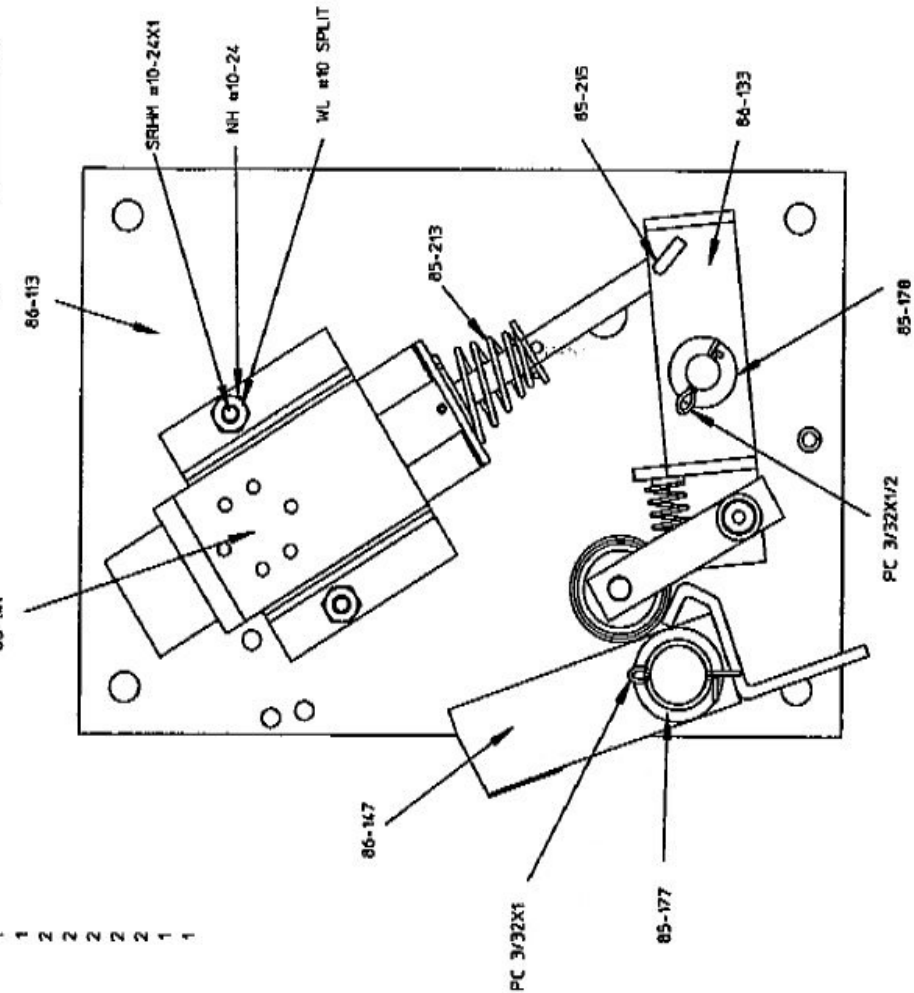






DRAWING NUMBER: 86-128  
 ECN NUMBER: 00-089  
 REV: 4

P/N	DESCRIPTION	QTY.
④ 85-213	SPRING - COMPRESSION - RETURN - SOLENOID	1
85-215	WIRE - LINKAGE - PIVOT ARM - ST	1
86-113	LOCK PLATE ASSEMBLY - HIGH - LE - ST	1
86-133	PIVOT & ROLLER ARM ASSEMBLY - HIGH - LE - ST	1
86-141	SOLENOID ASSEMBLY	1
③ 86-147	LOCKING BAR ASSEMBLY - ST	1
SRHM10-24X1	SCREW - MACHINE - PAN - #10 UNC x 1	2
NH10-24	NUT - MACHINE SCREW - #10 UNC	2
WL#10-SPLIT	WASHER - HELICAL SPRING - REGULAR - #10	2
85-178	WASHER - THRUST - 3/8 x 3/4 x 1/16	2
85-177	WASHER - THRUST - 5/8 x 1 x 1/16	2
PC3/32X1/2	PIN - COTTER - 3/32 x 1/2	1
PC3/32X1	PIN - COTTER - 3/32 x 1	1



MATERIAL: \*\*\*\*\*  
 FINISH: \*\*\*\*\*

REVISIONS

REV	DESCRIPTION	BY	DATE
1	UPDATE HARDWARE PART NUMBER DESIGNATIONS	GVB	07/14/99
2	RE-DRAWN AND ELIMINATED ISOMETRIC VIEWS. 86-141 WAS 86-137.	GLS	07/14/99
3	Revised 86-147 Assembly	GVB	03/13/00
4	ADDED 85-213 IDENTIFICATION	CLG	05/22/00

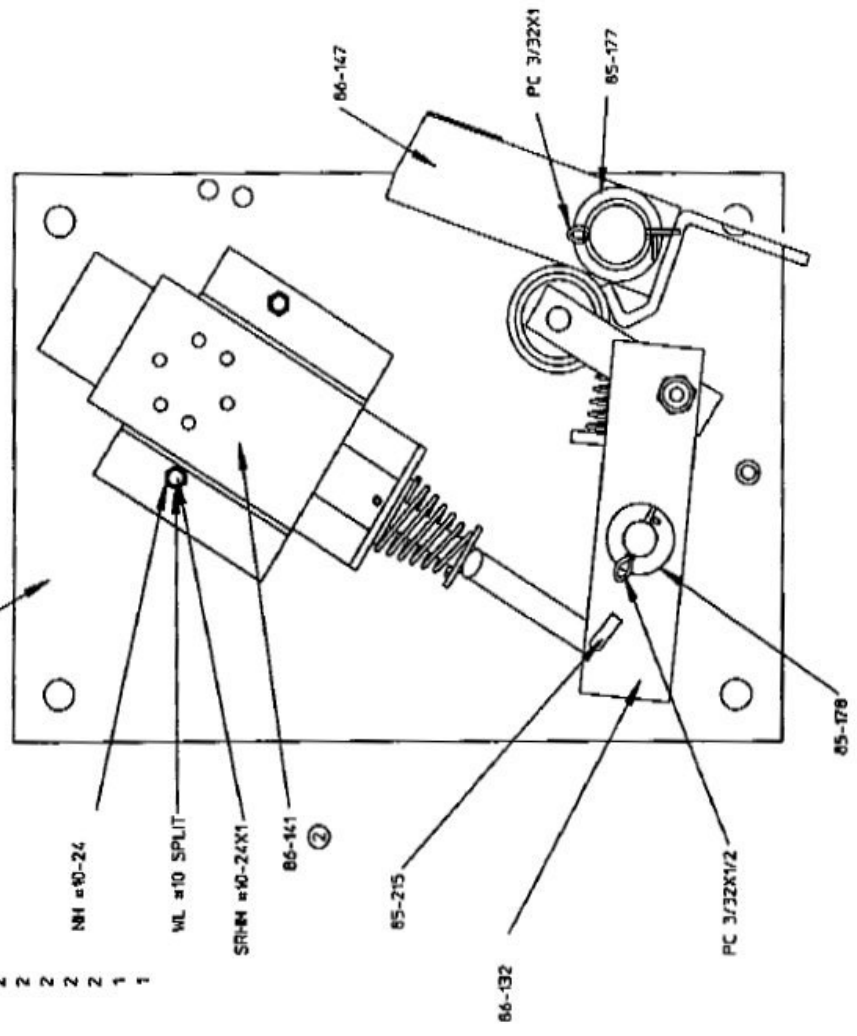
THESE DRAWINGS & SPECIFICATIONS ARE THE PROPERTY OF PHILIPS INDUSTRIES. THE AND ARE NOT TO BE DISCLOSED, REPRODUCED, COPIED, OR IN ANY MANNER FOR SALE OF APPARATUS AND/OR DEVICES, OR OTHERWISE WITHOUT PHILIPS' PRIOR WRITTEN CONSENT.

ALL DIMENSIONS ARE IN INCHES UNLESS SPECIFIED	
TOLERANCE UNLESS SPECIFIED	
0.0	+ 0.060
0.00	+ 0.030
0.000	+ 0.015
0.0000	+ 0.005
ANGULAR	+ 0.5
DRAWN BY/DATE:	GLS 07/14/99
CHECKED BY/DATE:	GVB 07/14/99

Phillips CSS Inc 7041 Orchard Dearborn, MI 48128	
DRAWING TITLE: LOCKING MECHANISM ASSEMBLY - HIGH - FAIL-LOCK	
SIZE: MODEL:	A ST
DRAWING NUMBER:	86-128
REV:	4
SCALE: # : #	ASSEMBLY
SHEET: 1 OF 1	

DRAWING NUMBER: 86-127  
 ECN NUMBER: 00-025  
 REV: 3

P/N	DESCRIPTION	QTY.
85-215	WIRE - LINKAGE - PIVOT ARM - ST	1
86-105	LOCK PLATE ASSEMBLY - LOW - LE - ST	1
86-132	PIVOT & ROLLER ARM ASSEMBLY - LOW - LE - ST	1
86-141	SOLENOID ASSEMBLY	1
86-147	LOCKING BAR ASSEMBLY - ST	1
SRHM10-24X1	SCREW - MACHINE - PAN - #10 UNC x 1	2
NH#10-24	NUT - MACHINE SCREW - #10 UNC	2
WL#10 SPLIT	WASHER - HELICAL SPRING - REGULAR - #10	2
85-178	WASHER - THRUST - 3/8 x 3/4 x 1/16	2
85-177	WASHER - THRUST - 5/8 x 1 x 1/16	2
PC3/32X1/2	PIN - COTTER - 3/32 x 1/2	1
PC3/32/1	PIN - COTTER - 3/32 x 1	1



MATERIAL: \*\*\*\*\*  
 FINISH: \*\*\*\*

Phillips CSS Inc  
 7041 Orchard  
 Dearborn, MI 48128

DRAWING TITLE:  
 LOCKING MECHANISM ASSEMBLY - LOW -  
 FAIL-LOCK

SIZE: MODEL: A ST  
 DRAWING NUMBER: 86-127  
 REV: 3

SCALE: # : # ASSEMBLY \* \* \* \* \*

SHEET: 1 OF 1

ALL DIMENSIONS ARE IN INCHES UNLESS SPECIFIED

TOLERANCE UNLESS SPECIFIED	GLS 07/14/99
0.0 ± 0.060	
0.00 ± 0.030	
0.000 ± 0.015	
0.0000 ± 0.005	
ANGULAR ± 0.5°	

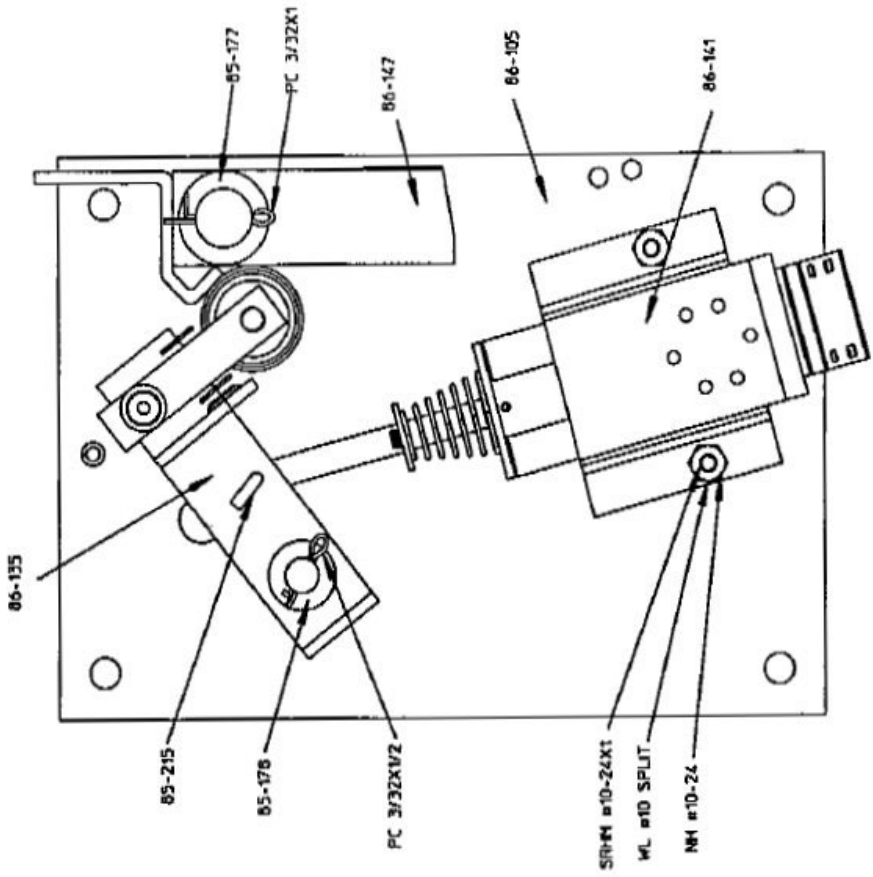
DRAWN BY/DATE: GVB 07/14/99  
 CHECKED BY/DATE: GVB 07/14/99

REV.	DESCRIPTION	BY	DATE
1	UPDATE HARDWARE PART NUMBER DESIGNATIONS	GVB	02/19/99
2	RE-DRAWN AND ELIMINATED ISOMETRIC VIEWS. 86-141 WAS 86-137.	GLS	07/14/99
3	Revised 86-147 Assembly	GVB	03/14/00

THESE DRAWINGS & SPECIFICATIONS ARE THE PROPERTY OF AND PREPARED BY PHILLIPS INDUSTRIES, INC. AND ARE NOT TO BE REPRODUCED OR TRANSMITTED IN ANY FORM OR BY ANY MEANS, WITHOUT WRITTEN CONSENT. FOR SALE OF APPARATUS AND/OR DEVICES, OR OTHERWISE WITHOUT PHILLIPS' WRITTEN CONSENT.

DRAWING NUMBER: 86-130 REV. 2  
 EGN NUMBER: 00-025

P/N	DESCRIPTION	QTY.
85-215	WIRE - LINKAGE - PIVOT ARM - ST	1
86-117	LOCK PLATE ASSEMBLY - HIGH - UE - ST	1
86-135	PIVOT & ROLLER ARM ASSEMBLY - HIGH - UE - ST	1
86-141	SOLENOID ASSEMBLY - UE - ST	1
86-147	LOCKING BAR ASSEMBLY - ST	1
SRHM#10-24X1	SCREW - MACHINE - PAN - #10 UNC x 1	2
NH#10-24	NUT - MACHINE SCREW - #10 UNC	2
WL#10 SPLIT	WASHER - MELICAL SPRING - REGULAR - #10	2
85-176	WASHER - THRUST - 3/8 x 3/4 x 1/16	2
85-177	WASHER - THRUST - 5/8 x 1 x 1/16	2
PC3/32X1/2	PIN - COTTER - 3/32 x 1/2	1
PC3/32X1	PIN - COTTER - 3/32 x 1	1



NOTE:  
 1) 86-135 & 86-147 MUST PIVOT FREELY.

MATERIAL: See Chart  
 FINISH: None

REV.	DESCRIPTION	BY	DATE
1	Update Hardware Part Number Designations	GVB	02/19/95
2	Eliminate Isometric Views, Revised 86-147 Assembly	GVB	03/15/00

ALL DIMENSIONS ARE IN INCHES UNLESS SPECIFIED  
 TOLERANCE UNLESS SPECIFIED  
 0.0 ± 0.060  
 0.00 ± 0.030  
 0.000 ± 0.015  
 0.0000 ± 0.005  
 ANGULAR ± 0.5°

DRAWN BY/DATE: DMK 08/08/94  
 CHECKED BY/DATE: JAK 08/08/94

Philipps CSS Inc  
 7041 Orchard  
 Dearborn, MI 48128

DRAWING TITLE: LOCKING MECHANISM ASSEMBLY  
 HIGH - UE - ST

SIZE: MODEL: ST  
 A ST  
 DRAWING NUMBER: 86-130 REV: 2

SCALE: 1 : 2 ASSEMBLY  
 SHEET: 1 OF 1

PHILIPPS CSS INC. THESE DRAWINGS & SPECIFICATIONS ARE THE PROPERTY OF AND INTEND TO BE USED AS THE BASIS OF MANUFACTURE OR SALE OF APPLICABLE AND/OR DEVICES. ON OTHERWISE WITHOUT PHILIPPS' PRIOR WRITTEN CONSENT.



