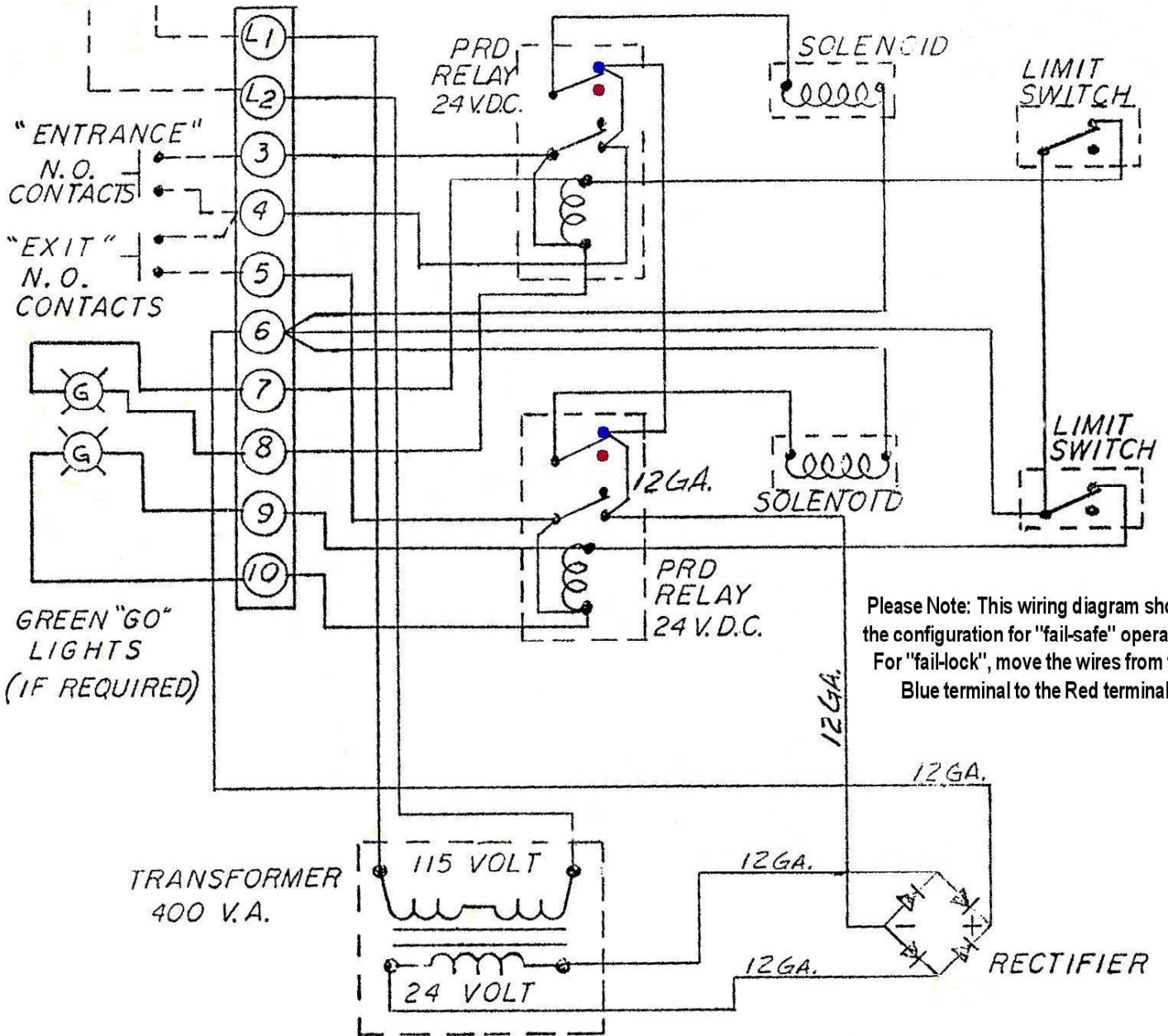


115 VOLT
1 PHASE
60 CYCLE



Please Note: This wiring diagram shows the configuration for "fail-safe" operation. For "fail-lock", move the wires from the Blue terminal to the Red terminal

NOTE:

34 SERIES REQUIRES TWO CONTROL PANELS AS SHOWN.

----- FIELD WIRING
————— FACTORY WIRING

| | | | | | |
|---|------|---------|------|------|--------------------|
| ROBOT INDUSTRIES, INC. DEARBORN MICHIGAN | NAME | G.S. | | | |
| | DATE | 9/15/50 | | | |
| | BY | DTR. | CKR. | ENG. | Prod.Study |
| PART NAME 32-34 U-E SERIES ASTG 24 VOLT D.C. SOLENOIDS | | | | | PART No. 70-694 |
| MODEL 32-34 ASTG | | | | | |